

Fully Automatic Coffee Machine

User Manual

Original instruction



B5-2

Content

1 Safety	01
Intended use.....	01
Warning.....	01
Explanation of safety symbols.....	02
2 Welcome to use	02
3 Machine overview	03
4 Accessories	04
5 Preparing and using for the first time	05
Unpacking.....	05
Language.....	06
Set water hardness.....	06
Install filter (optional)	06
Auto rinsing when switch on the machine.....	06
Install milk pipe.....	06
6 Beverage preparation	07
How to prepare beverage.....	07
How to adjust grinding degree.....	08
How to prepare a drink with ground coffee.....	08
How to use My Coffee.....	09
7 Machine Setting	10
Cleaning and maintenance.....	10
Milk system cleaning (Total duration is approx. 3 minutes).....	10
Coffee system cleaning (Total duration is approx. 20 minutes).....	10
Descaling (Total duration is approx. 30 minutes).....	11
Install/Change filter.....	12
System setting.....	12
Eco mode.....	12
Factory reset.....	12
Empty water circuit.....	12
Select water hardness.....	13
Language.....	13

Content

Keyboard sound.....	13
Beverage setting.....	14
Information.....	15
Beverage data.....	15
Maintenance data.....	15
Software information.....	15
Child lock.....	15
8 Daily cleaning.....	15
Machine cleaning.....	15
Milk frother disassembly.....	16
Machine rinsing.....	16
9 Display messages.....	17
10 Troubleshooting.....	18
11 Technical data.....	20
Disposal.....	20

1.Safety

Intended use

B5-2 is designed to prepare standard household coffee and to use in family or non-commercial sites similar to family environment. Other commercial sites e.g., staff canteen, hotel etc., and other sites with more daily coffee consumption are not recommended to use the machine.

WARNING

- *Pass the manual along to the next user if the machine is sold or transferred.
- *Only filling the water tank with fresh cold water.
- *Treated with additives or caramelized coffee beans cannot be used.
- *B5-2 is intended for preparing coffee and milk-based beverage. Apart from this, other purpose is incorrect and dangerous.
- *Do not immerse the machine or power cord into water for cleaning. The power cord and machine cannot be used until they are intact. If error occurs, pull out the mains plug or cut off power supply immediately.
- *Connection only be performed by the specification of rating plate, see technical data for more information (Page 20) .
- *B5-2 is not recommended to use outdoors, and needs to put it on the horizontal waterproof surface that can support its weight before use.
- *Please ensure to put machine far away from the splashing water.
- *If B5-2 is damaged (e.g., something burnt) or has something wrong, pull out the mains plug and contact customer service. Maintenance must be performed by professional service technician.
- *The manufacturer shall not be liable for damage resulting from improper use.
- *Switch off the machine and pull out the mains plug, if the machine is not used for extended period (e.g., on vacation).
- *B5-2 must be used between 5°C-40°C.
- *Empty water circuit needs to be performed in advance, if B5-2 will be stored at 0°C.
- *Do not use damaged filter.
- *Seal and store the filter in a dry place.
- *Keep filter out of the reach of children.
- *Filter should be placed far away from heat source and avoid direct sunlight.
- *This appliance is not intended for use by persons (including children) with reduced physical, sensory or mental capabilities, or lack of experience and knowledge, unless they have been given supervision or instruction concerning use of the appliance by a person responsible for their safety.
- *Children should be supervised to ensure that they do not play with the appliance.
- *Cleaning and user maintenance shall not be made by children unless they are older than 8 and supervised.
- *If the supply cord is damaged, it must be replaced by a special cord or assembly available from the manufacturer or its service agent.
- *Keep the appliance and its cord out of reach of children aged less than 8 years.
- *The coffee-maker shall not be placed in a cabinet when in use.
- *Always disconnect the appliance from the supply if it is left unattended and before assembling, disassembling or cleaning.

- *Do not touch the coffee outlet and other heating surface with residual heat after making coffee.
- *Please follow this manual to use the machine, misuse of the machine may cause injury.

Explanation of safety symbols

Observation of these safety instructions is imperative to ensure personal safety and machine in good condition.
Symbols and signal words indicate the level of hazards as follows:



WARNING

WARNING Indicates a potential danger, if not avoided, will probably result in death or moderate injury.



CAUTION

CAUTION Indicates a hazardous situation which, if not avoided, could result in minor or moderate injury.



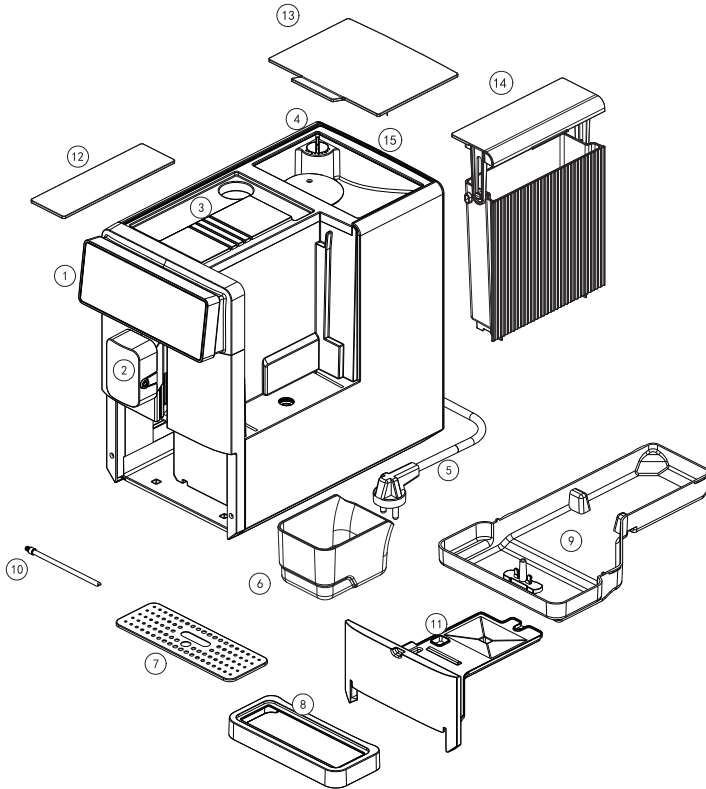
NOTICE

NOTICE Directs your attention to the risk of damage to machinery.

2.Welcome to use

Congratulations on the purchase of your B5-2 fully-automatic coffee machine!
Read the user manual carefully prior to use B5-2 for the first time, and keep it well for reference later.The machine is only suitable for domestic occasions,not for business occasions

3. Machine overview



- 1. Operation panel
- 2. Adjustable coffee spout
- 3. Powder chute for ground coffee
- 4. Grinding wheel
- 5. Power cord
- 6. Grounds container
- 7. Drip tray grid
- 8. Drip tray grid support

- 9. Drip tray base
- 10. Milk pipe
- 11. Drip tray cover
- 12. Powder chute cover
- 13. Bean hopper cover
- 14. Water tank
- 15. Bean hopper



Symbol display:

- | | |
|-----------------|--------------|
| 1.On/off switch | 9.My Coffee |
| 2.Espresso | 10.Setting |
| 3.Coffee | 11.Rinsing |
| 4.Americano | 12.Display |
| 5.Cappuccino | 13.Backwards |
| 6.Latte | 14.Forwards |
| 7.Macchiato | 15.Back |
| 8.More | 16.Confirm |

4.Accessories

- 1 .User manual
- 2 .Powder spoon
- 3 .Milk pipe
- 4 .Filter (optional)
- 5 .Water hardness test strip (optional)
- 6 .Cleaning agent (optional)
(Brewer cleaning tablet/Descaling cleaning agent/Milk system cleaning agent)

5. Preparing and using for the first time

Unpacking

1. Take out the machine and unveil the protective film, then place it on a horizontal surface which is dry and non-slip.



*After unpacking, whether the surface of machine is intact and without obvious scratch are both need to be ensured, as well as to ensure spare parts and accessories are complete. If the appearance is damaged seriously and lack of parts, contact customer service.

*Due to the test will be performed before the machine leave the factory, a little ground coffee appeared in the interior is normal.

2. Remove water tank and rinse, then fill the water tank up to max;

3. Replace the water tank and ensure that is installed vertically;

4. Fill the bean hopper with coffee beans;

5. Plug the mains cable for the coffee machine into an electrical outlet;



*Heat will be released during beverage preparation, so the machine all round needs to be freed up 3cm space at least, and top of it needs to be freed up 15cm space at least.

*All round of the machine should avoid sharp or high temperature substances in case of damage to power cord.

6. Turn on the power switch, then touch the screen button to start up the machine.

Language

Access to language selection interface when switch on the machine for the first time. Select corresponding language by touching '◀' '▶', then touch 'OK' to continue.

Set water hardness

Water hardness testing results or local water quality can be read from the description of water hardness test paper(optional).

Access to water hardness selection interface and select corresponding one,then touch 'OK' to continue.



Accuracy of water hardness setting is imperative for machine to prompt when to perform descaling accurately.

Install filter (optional)

After the installation of filter is ensured, then touch 'OK' to continue.

Recommended filter: **BRITA** AquaAroma Crema Water Filter

Auto rinsing when switch on the machine

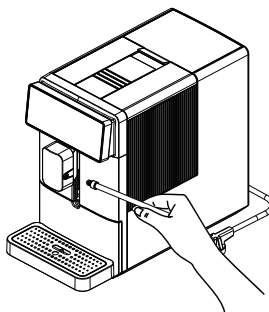
Rinsing program of the device will be performed automatically. After rinsing finished, your coffee machine is ready to use.



In the process of rinsing, hot water will come out from coffee spout to rinse. You can put a appropriate cup beneath the outlet to prevent scalding from splashing hot water.

Install milk pipe

Please ensure that all parts of milk frother are assembled correctly before inserting milk pipe into the machine.



6. Beverage preparation

Before preparing beverage, sufficient water in the water tank, enough coffee beans in the bean hopper and no error messages appear on the display need to be confirmed first.

Place an appropriate cup beneath the coffee spout, and adjust the coffee spout up and down to the suitable height.

If milk-based beverage needs to be prepared, ensure components of milk carafe are installed correctly and filled with enough milk.



*During beverage preparation, too higher dual spout may result in scalding because of splashing drinks.

*Hot steam will be sprayed from spout of milk carafe when the milk is not enough.



*During milk preparation, noise made by milk carafe is normal.

*After milk beverage preparation, remember to rinse milk carafe in time to prevent milk residual or spoiled milk, and put the milk carafe into cooler timely.

How to prepare beverage

Touch desired beverage on the operation panel.

You can also select beverage from **'More'** :

Flat white/Ristretto/Black coffee/Travel mug Lungo/Double espresso/Double coffees/Hot water /Milk foam.

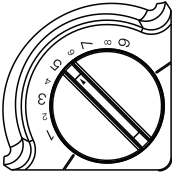
1. Access to the coffee strength selection interface after the selection of desired beverage
2. Use '◀' '▶' to select, and touch 'OK' to confirm
3. Coffee preparation start now, and cup/hot water volume adjustment are available by pressing '◀' '▶', then touch 'OK' to confirm
4. Heating-up message will be displayed when preparing the milk-based beverage, please wait until the completion of heating
5. Milk foam is going to prepare after heating finished, and milk foam volume adjustment is available by pressing '◀' '▶'
6. Ready will be indicated on the display when the preparation is finished. That means beverage is ready to be enjoyed and available to the next step
7. Cancel current beverage preparation by touching cancel key during the preparation process. The next step cannot be operated until the ready interface is displayed.



Do not reach into bean hopper during the beverage preparation.

How to adjust grinding degree

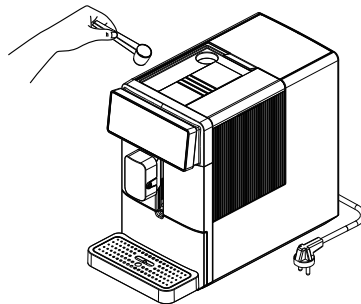
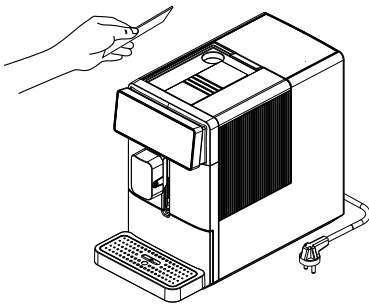
Users can adjust grinding degree themselves by using grinding wheel from the bean hopper inside. Total nine levels can be adjusted according to your taste. Turn clockwise for a coarser grind, and turn counterclockwise for a finer grind.



- *Grinding degree adjustment is only available when grinding the coffee beans.
- *New settings are available at the second or third cup of coffee.
- *Dark roast is suitable for fine grinding, light roast is suitable for coarse grinding.

How to prepare a drink with ground coffee

1. Select ground coffee preparation in the 'More', then touch 'OK' to continue
2. Put ground coffee according to the instructions below, then touch 'OK' to continue
3. Select desired beverage that requires ground coffee by touching '◀' '▶', then touch 'OK' to continue
4. Follow-up steps are the same as beverage preparation with coffee beans





Here we suggest to use powder spoon in box (full powder capacity of spoon is 6g). Since the recommended range for coffee powder is 5-12g.

How to use My Coffee

Touch My Coffee on the operation panel, then access to My Coffee (4 empty position that can be edited)

After selecting certain empty position (take My Coffee 4 for example), Select desired beverage, e.g., Espresso. Adjust the cup volume and coffee strength when preparing coffee. The setting will be stored in My Coffee 4 automatically after the beverage preparation is finished.

When access to My Coffee 4 next time, after selecting beverage (Espresso) that has been stored, the beverage preparation will be performed automatically with the recipe that has been stored last time.



Apart from the function of My Coffee, whether any parameter is set during the beverage preparation, the beverage recipe will restore to the menu-beverage setting after the beverage preparation finished.

7. Machine Setting

Cleaning and maintenance

Milk system cleaning (Total duration is approx. 3 minutes)

In order to prevent milk carafe from being clogged by milk residuals and assure hygiene of milk system. Use specialized milk cleaning agent to clean milk system systematically.

Total water consumption is approx. 430ml

1. Access to the menu by touching set key, and select maintenance interface by using '◀' '▶', then touch 'OK' to confirm
2. Select milk system cleaning, then touch 'OK' to confirm
3. Please mix original cleaning agent with water in milk container and insert milk pipe.
4. Start the process of milk cleaning.
5. Clean milk container then fill in fresh water and insert milk tube.
6. Until complete is displayed, that means the end of milk system cleaning.

Coffee system cleaning (Total duration is approx. 20 minutes)

In order to prevent coffee system from clogged by coffee powder in brewer and coffee pipes and assure hygiene of machine inside, machine will notify you to perform coffee system cleaning after every 230 cups. Press 'OK' to start the cleaning or find following steps to perform manually. Total water consumption is approx. 550ml

1. Access to the menu by touching set key, and select maintenance interface by using '◀' '▶', then touch 'OK' to confirm.
2. Select coffee system cleaning, then touch 'OK' to confirm
3. Empty drip tray and grounds container
4. Touch 'OK' to start cleaning procedure
5. Put cleaning tablet into powder chute for ground coffee
6. Start to the process of coffee system cleaning by touching 'OK'
7. Empty drip tray and grounds container according to the messages
8. Replace the drip tray and grounds container
9. Until complete is displayed, that means the end of coffee system cleaning

Descaling (Total duration is approx. 30 minutes)

Since water quality affect machine's life span, machine will notify you to perform descaling based on your water hardness setting. When machine shows Need descaling, touch 'OK' to start the process or follow the following steps to perform. Total water consumption is approx. 900ml

1. Access to the menu by touching set key, and select maintenance interface by using '◀' '▶', then touch 'OK' to confirm
2. Select descaling and touch 'OK' to confirm
3. Please remove filter first if installed, if not, touch 'OK' directly to continue
4. Empty drip tray and grounds container
5. Take out water tank first, after the descaling cleaning agent dissolves in the water tank, replace the water tank
6. Perform descaling procedure
7. Empty drip tray and grounds container
8. Take out and clean water tank, then refill the water tank to max and replace the water tank
9. Continue to perform descaling procedure
10. Empty drip tray and grounds container
11. Please remove filter first if installed, if not, touch 'OK' directly to continue
12. Start filter cleaning procedure if the filter has been installed
13. Until complete is displayed, that means the end of descaling



*Read the user manual and usage of cleaning agent carefully prior to clean.
*During descaling, be careful and avoid to touch acid hot water dispensing from coffee spout.



*Descaling for the machine at regular intervals to avoid water residuals accumulation, which will lead to the increase of energy consumption.
*Do not use vinegar, citric acid, or chemicals.

Install/Change filter

Access to the menu by touching set key, and select maintenance interface by using '◀' '▶', then touch 'OK' to confirm.

Yes or no are available after access to the filter interface.

If select 'Yes', please install filter. Touch 'OK' to start the filter rinsing when it has been installed. filter setting completed will be displayed after the end of rinsing.



*The device will not detect whether install filter or not automatically, which need users to confirm themselves and activate the function to use.

*Even though without message displayed for replacing the filter, user also should change the filter every 3 months.

System setting

Access to the setting option and select function setting by using '◀' '▶', then options for the function setting can be set.

Auto switch off

Time setting for automatic switch-off: 15 minutes, 30 minutes, 1 hour, 2 hours, 3 hours, 4 hours, 5 hours, 6 hours, 7 hours, 8 hours and circulation switch by using '◀' '▶'.

Eco mode

Select activate or inactivate Eco mode by using '◀' '▶'. the machine will not keep warm when the rinsing is completed and the device is ready to use. Before the preparation of any beverage, machine will preheat first when detect the temperature is not enough. After preheat completed, beverage preparation will be continued.

Factory reset

Touch 'OK' to restore factory setting

Beverage preparation cups, maintenance information and data are not changed and not influenced by factory reset.

When user switches on the machine again, just repeat the action for the first-time use. (Language>Water hardness> Install filter)

Empty water circuit

Touch 'OK' to start empty water circuit

Take out water tank depends on the messages displayed on the screen, and the machine will empty water circuit automatically later until the machine is switched off

Select water hardness

Use the test strip(optional) to test water hardness, you will then be able to adjust the water hardness of machine according to the testing results.

You can set your water hardness setting by the chart below, based on your water source condition.

Machine setting	Water hardness
1	1~7dH
2	8~15dH
3	16~23dH
4	24~30dH

The minimum level can be turned to 1 by touching '◀', and the maximum level can be turned to 4 by touching '▶'. Touch Back will go to last interface, and touch 'OK' will complete the setting.



*We recommend you adjust the water hardness to your local water hardness condition, in order to keep the machine in optimum performance and extend the life span, meanwhile, getting rid of troubles resulting from descaling frequently.
*Default water hardness is the maximum level of water hardness.

Language

Select language by touching '◀' '▶'

Keyboard sound

Turn on/off the keyboard sound by touching '◀' '▶'

After keyboard sound activated, buzzer will be activated by touching functional button when the machine is switched on.

After keyboard sound inactivated, buzzer will not be activated by touching button any time.

Beverage setting

Access to the setting interface and select beverage setting by touching '◀' '▶', then options for the beverage setting can be set.

Beverage	Recipe	Temperature setting	Coffee strength
Ristretto	Coffee volume range 15~200mL	Low/Medium/High	5 level adjustable
Espresso	Coffee volume range 15~200mL	Low/Medium/High	5 level adjustable
Coffee	Coffee volume range 15~200mL	Low/Medium/High	5 level adjustable
Lungo	Coffee volume range 15~200mL	Low/Medium/High	5 level adjustable
2× Espresso	Coffee volume range 15~200mL	Low/Medium/High	5 level adjustable
2× Coffee	Coffee volume range 15~200mL	Low/Medium/High	5 level adjustable
Americano	Coffee volume range 15~200mL Hot water volume range 15~240mL	Low/Medium/High	5 level adjustable
Black coffee	Coffee volume range 15~200mL Hot water volume range 15~240mL	Low/Medium/High	5 level adjustable
Latte	Milk foam duration 5-50s Coffee volume range 15~200mL	Low/Medium/High	5 level adjustable
Cappuccino	Milk foam duration 5-50s Coffee volume range 15~200mL	Low/Medium/High	5 level adjustable
Flat white	Milk foam duration 5-50s Coffee volume range 15~200mL	Low/Medium/High	5 level adjustable
Macchiato	Milk foam duration 5-50s Coffee volume range 15~200mL Waiting time range 1~30s	Low/Medium/High	5 level adjustable
Travel mug	Two brew cycle; Coffee volume range 15~200mL for one brew cycle;	Low/Medium/High	5 level adjustable
Hot water	Hot water volume range 15~240mL	Low/Medium/High	-
Milk foam	Milk foam duration 5-50s	-	-

Information

Access to the setting interface and select information by touching '◀' '▶', then options for information setting can be viewed

Beverage data

All single beverage preparation cups can be displayed by touching '◀' '▶'

Maintenance data

Milk system cleaning times/Coffee system cleaning times/Descaling times/cartridge rinsing times can be displayed by touching '◀' '▶'

Software information

Current software version will be displayed

Child lock

Touch '◀' '▶' simultaneously in the ready interface, which will activate child lock function. Touch '◀' '▶' simultaneously again will turn off child lock function.

When activate child lock function, only switch on/ off button can be used. Moreover, cleaning will not be performed when switch on/off the machine, in order to prevent scalding children. Normal function of on/off button will be restored when the child lock is released.

8. Daily cleaning

Machine cleaning

For better use of coffee machine and beverage preparation, following components if used need to be cleaned manually on the day:

- *Grounds container
- *Drip tray
- *Drip tray grid
- *Water tank
- *Coffee spout
- *Milk frother and pipe
- *Operation panel

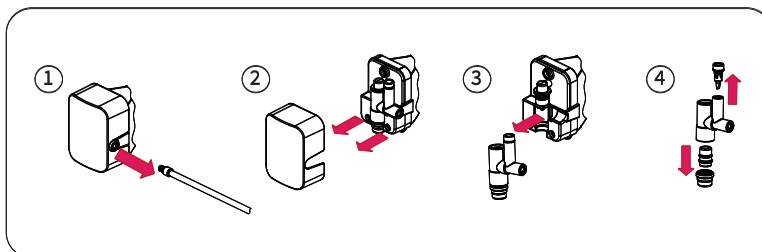


*Before cleaning, ensure that mains plug has been pulled out and do not immerse the device into the water.



*Except for other parts, dishwasher cleaning for milk carafe is available.
*Do not use corrosive and chemical solvent cleaning agent or alcohol to clean the machine.

Milk frother disassembly



(Please contact customer service if you meet any problem when assembling Milk carafe)



*To avoid clogging, rinsing after used is necessary.
* Do not put your hands beneath the steam outlet during operation.
* Disassembly rinsing is allowed.

Machine rinsing

Touch rinsing button to rinse coffee spout when the milk carafe is not inserted. Milk system rinsing will be performed when the milk carafe has been inserted and milk-based beverage has been prepared (milk in the milk carafe will not be influenced).

Meanwhile, machine will automatically perform the auto-rinsing after you prepared the beverage.



*Hot water or steam will be sprayed from nozzle and coffee spout during rinsing, we recommended that put a cup or other container beneath the coffee spout to prevent scalding.

9. Display messages

Display content	Resolution
Fill in water tank	Fill water tank with enough water and replacethe water tank
Fill in beans	Fill bean hopper with enough coffee beans
Empty grounds container	Empty coffee grounds from grounds container
Install grounds container and drip tray	Place drip tray and grounds container back
Empty drip tray	<Only display in the process of descaling>Empty waste water from drip tray
Empty grounds container and drip tray	<Only display in the process of coffee system cleaning> Empty waste water from drip tray, empty coffee grounds from grounds container
Milk frother rinsing	Touch "Rinsing" to rinse milk frother
Brewer rinsing	Touch "Rinsing" to rinse brewer Machine rinsing automatically after switch onthe machine
Coffee system cleaning	Touch "OK" to clean coffee system
Need descaling notice	Touch "OK" to descale machine
Filter needs to be changed	Touch "OK" to change the filter
Coffee system cleaning notice	Touch "OK" to clean coffee system

10. Troubleshooting

This chapter has summarized all errors of coffee machine, common malfunctions and solutions. If the problem cannot be solved, please contact customer service in your country or region.

Problem	Reason	Resolution
Milk sprays out of the milk carafe when making milk foam	Milk is running out	Fill milk container with milk
	Milk system is clogged	Perform milk system cleaning
	Milk carafe not install correctly	Use cooler milk
Low coffee temperature	Milk Temperature is too high	Increase the temperature in the beverage setting
	Clogging inside the machine due to limescale	Perform descaling procedure
Grounds container cannot be removed together with drip tray; Or drip tray and grounds container cannot put back in machine	Brewer inside has interference with grounds container	Firstly remove grounds container manually, Then put drip tray alone back to machine. Restart the machine until ready to make coffee. Take out drip tray and put drip tray and grounds container together into machine
Coffee not dispensing or coffee flows slowly	Coffee powder is too fine	Increase the grinding level
	Clogging inside the coffee system	Perform coffee system cleaning
	Coffee spout clogging	Clean coffee spout
	Clogging inside the machine due to limescale	Perform descaling procedure

<p>“System empty” is displayed</p>	<p>No water flows in machine</p>	<p>Press “OK” again, machine will pump water automatically.</p>
<p>“Brewer error” is displayed</p>	<p>Happened during making ground coffee: Machine detect higher 12g coffee powder</p>	<p>Touch “OK” and need add lower powder in next cup</p>
	<p>Internal components of the machine error</p>	<p>Touch “OK” can switch off the machine directly. If error occurs again after restart, please contact service center</p>
<p>“NTC error” is displayed</p>	<p>Internal components of the machine error</p>	<p>Touch “OK” can switch off the machine directly. If error occurs again after restart, please contact service center</p>
<p>“Multi-way valve error” is displayed</p>		
<p>“Thermoblock error” is displayed</p>		
<p>“Pump or flowmeter error” is displayed</p>		
<p>“Grinding error” is displayed</p>		
<p>“High temp in thermoblock” Or “Low temp in thermoblock” is displayed</p>		

11. Technical data

Product name	Fully automatic coffee machine
Model	B5-2
Recommended daily capacity	10 cups
Bean hopper	200g
Water tank	1.3L
Drip tray	600mL
Grounds container	10 portions
Height-adjustable for coffee spout	68-138mm
Water pump pressure	19 bar
Power supply	220-240V 50/60Hz
Power rating	1400w
Dimensions (W x H x D)	215×340×455mm
Net weight	9.6kg
Beverages	Espresso/Coffee/Americano/Cappuccino/Latte/Macchiato/Flat white/Hot water/Travel mug/Lungo/Ristretto/Black Coffee/2× espresso /Milk foam/2× Coffee

Disposal



The device may not be disposed of as domestic waste. It needs to transfer to specialized garbage classification center.

